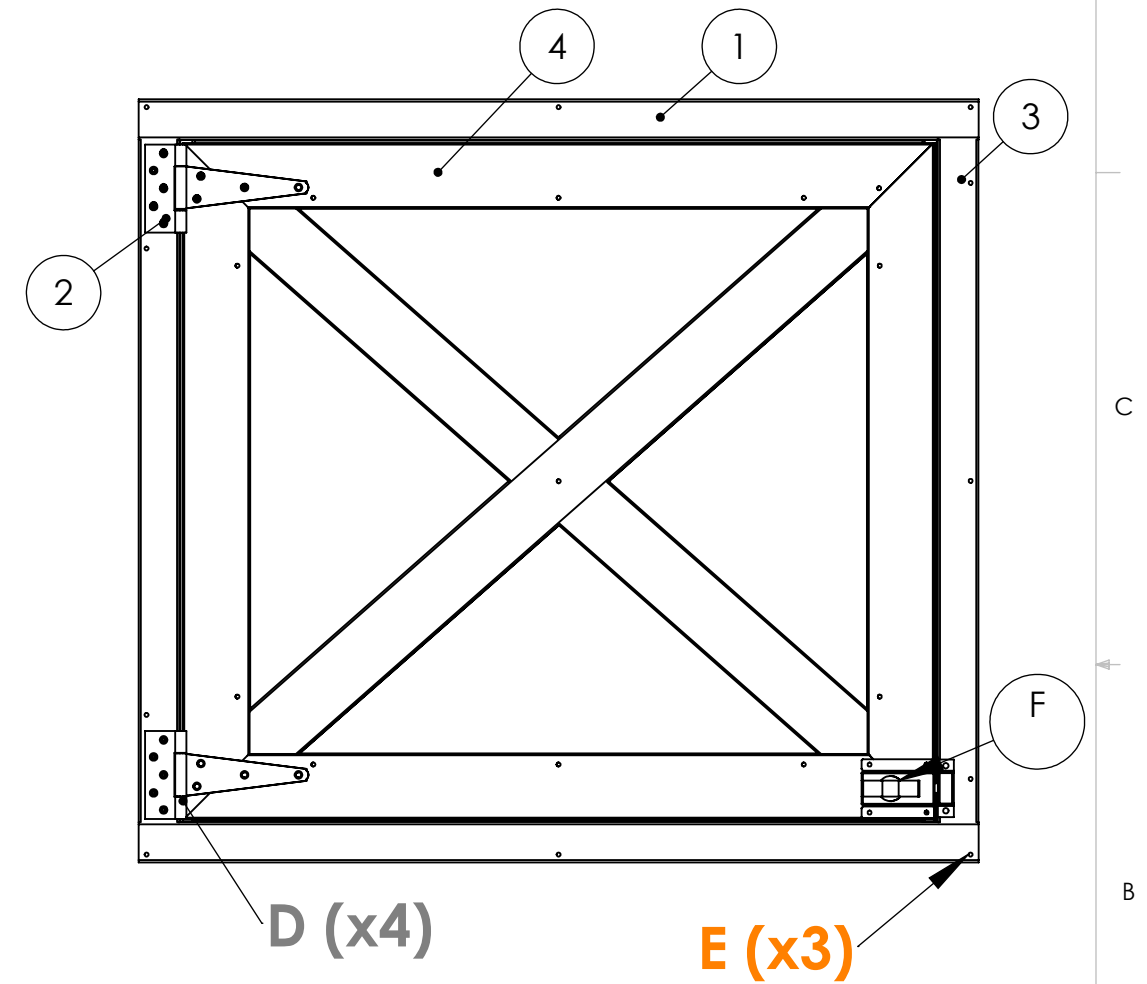
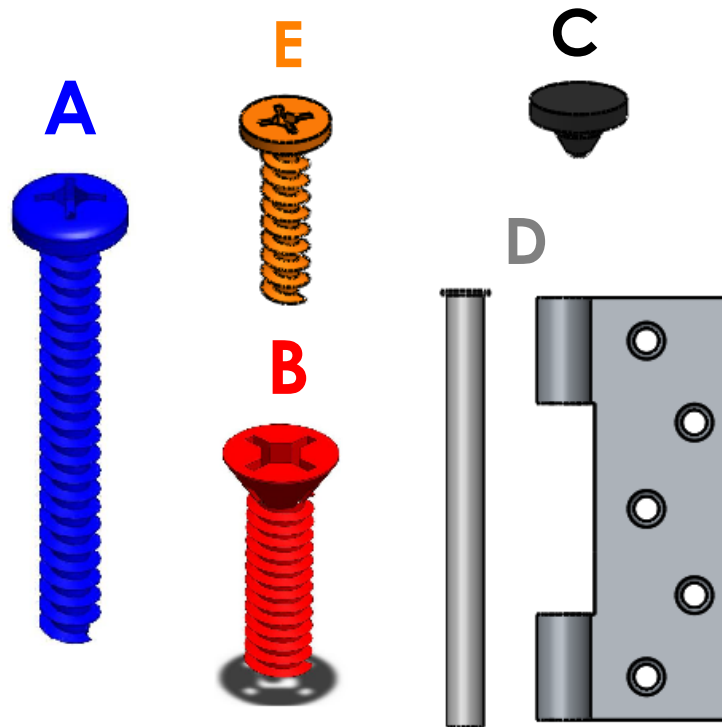


BOM Table			
ITEM NO.	Description	Color	QTY.
1	Jamb Header		2
2	Hinged Jamb Side		1
3	Unhinged Jamb Side		1
4	Door Panel		1
A	2" Wood Screw	Blue	25
B	3/4" Flat machine Screw	Red	10
C	Rubber Bumper	Black	2
D	Jamb Hinge	Silver	2
F	D-Handle	Maroon	1



TITLE:
2500BD Series Installation Instructions

PROPRIETARY AND CONFIDENTIAL
THE INFORMATION CONTAINED IN THIS DRAWING IS THE SOLE PROPERTY OF STALLWORKS. ANY REPRODUCTION IN PART OR AS A WHOLE WITHOUT THE WRITTEN PERMISSION OF STALLWORKS IS PROHIBITED.

STALLWORKS, LLC
191 Police Tower Rd.
Appomattox, VA 24522
434-352-2929

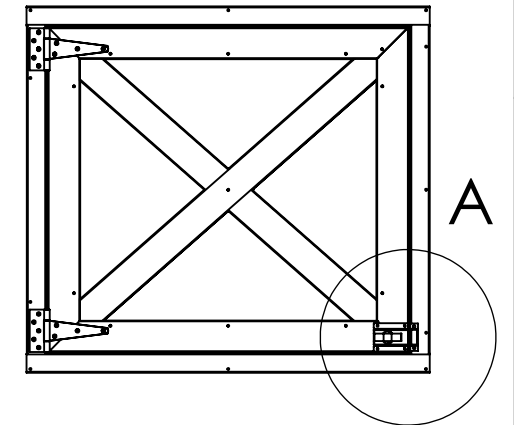
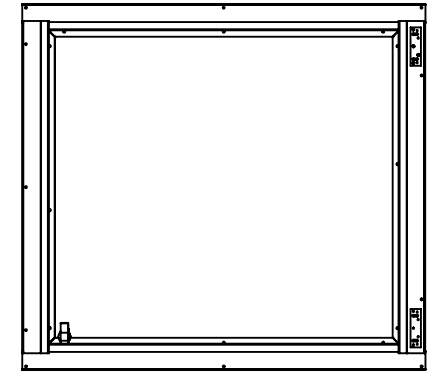
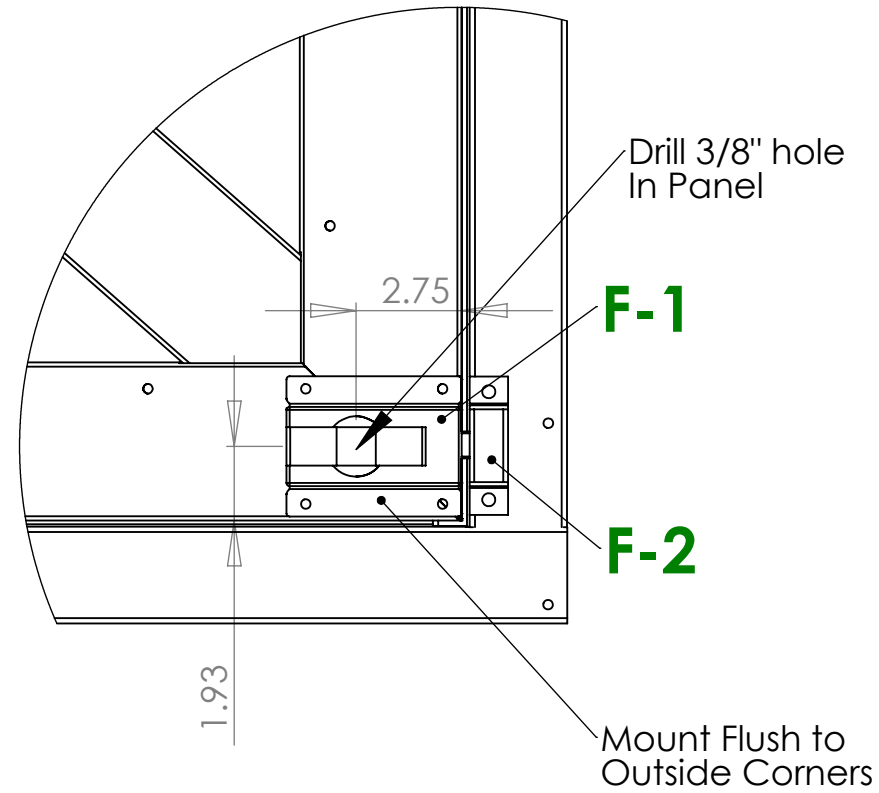
COMMENTS:

DO NOT SCALE DRAWING

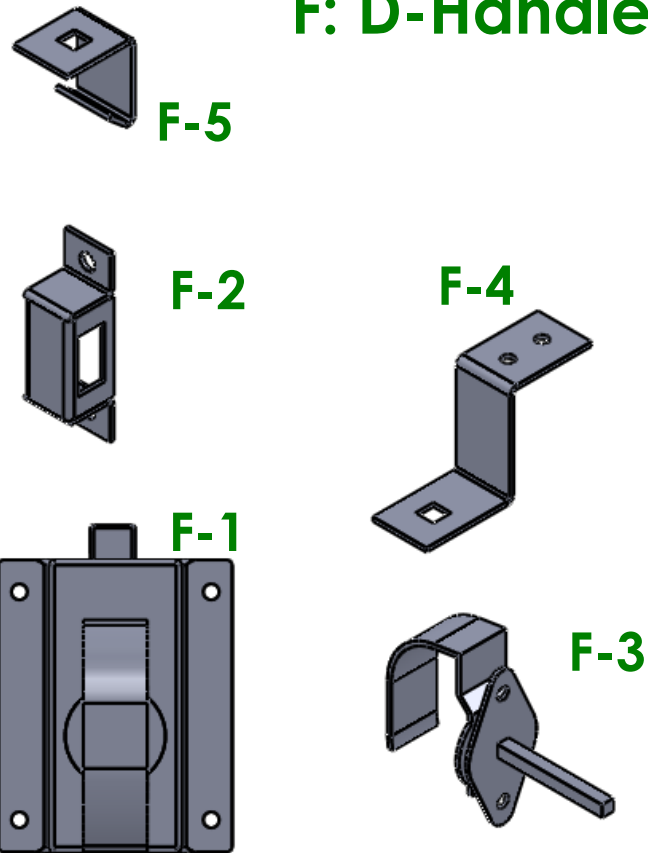
DRAWN	NAME	DATE	SIZE	DWG. NO.	REV
	CBM	1-3-13	B		G
CHECKED			SCALE: 1:12	WEIGHT:	SHEET 1 OF 2

8 7 6 5 4 3 2 1

DETAIL A SCALE 1 : 5



F: D-Handle



D-Handle Catch Installation

Option 1

Option 2



TITLE:
2500BD Series Installation Instructions

PROPRIETARY AND CONFIDENTIAL
THE INFORMATION CONTAINED IN THIS DRAWING IS THE SOLE PROPERTY OF STALLWORKS. ANY REPRODUCTION IN PART OR AS A WHOLE WITHOUT THE WRITTEN PERMISSION OF STALLWORKS IS PROHIBITED.

STALLWORKS, LLC
191 Police Tower Rd.
Appomattox, VA 24522
434-352-2929

COMMENTS:

DO NOT SCALE DRAWING

	NAME	DATE	SIZE	DWG. NO.	REV
DRAWN	CBM	1-3-13	B		G
CHECKED			SCALE: 1:25	WEIGHT:	SHEET 2 OF 2

8 7 6 5 4 3 2 1