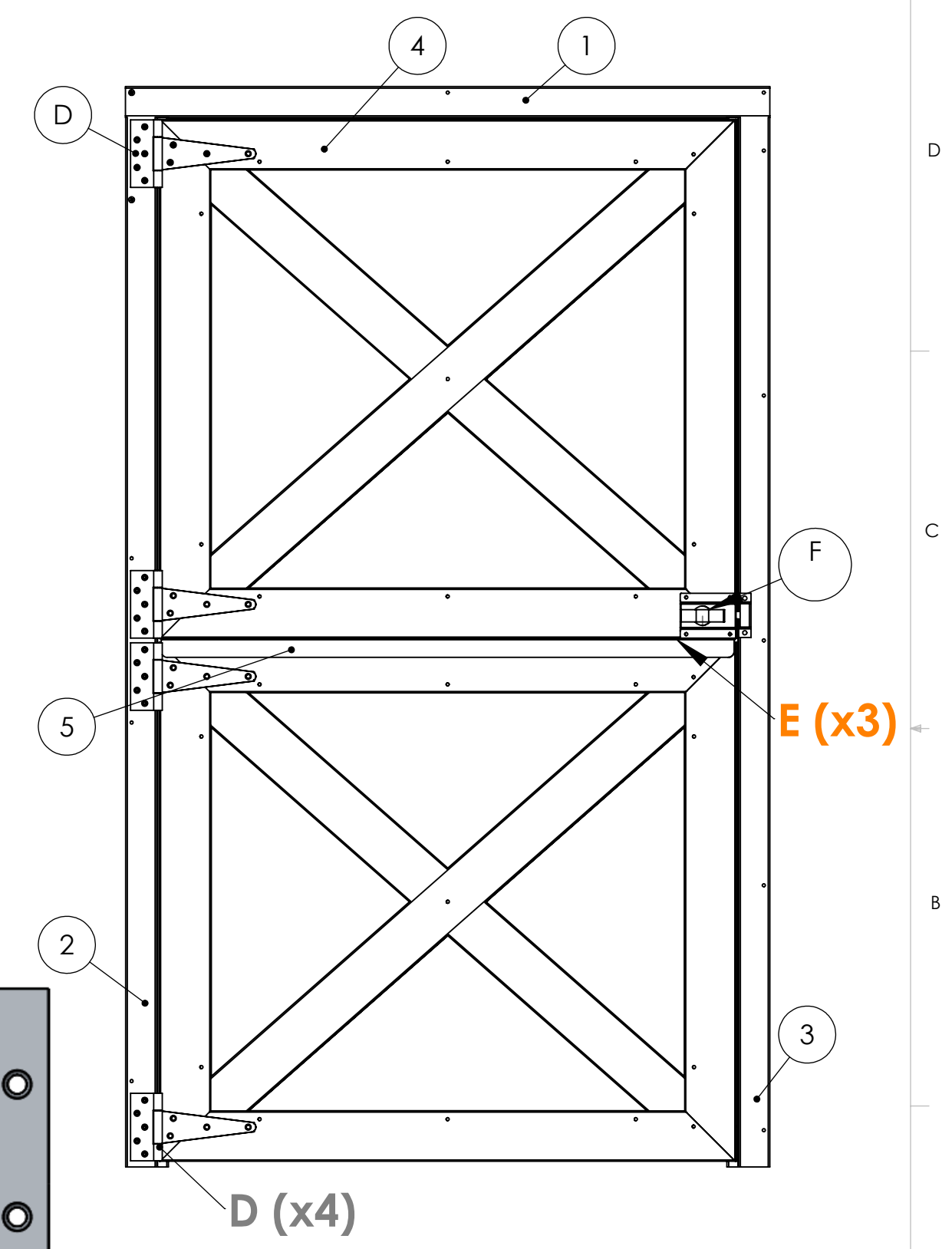
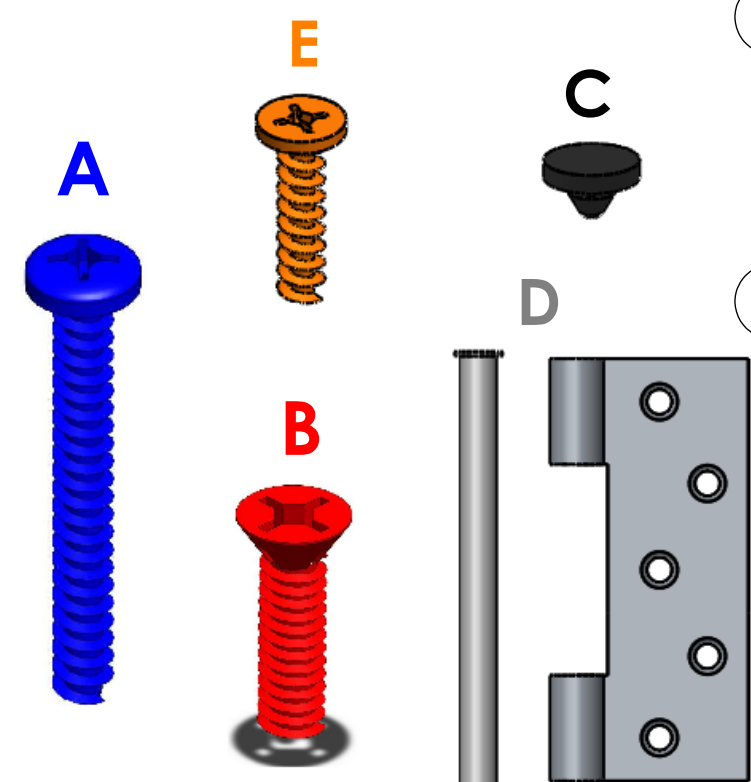


| BOM Table | | | |
|-----------|-------------------------|--------|------|
| ITEM NO. | Description | Color | QTY. |
| 1 | Jamb Header | | 1 |
| 2 | Hinged Side | | 1 |
| 3 | Unhinged Side | | 1 |
| 4 | Door Panel | | 2 |
| 5 | Center Angle | | 1 |
| A | 2" Wood Screw | Blue | 29 |
| B | 3/4" Flat Machine Screw | Red | 20 |
| C | Rubber Bumper | Black | 4 |
| D | Jamb Hinge | Silver | 4 |
| E | 1" Pancake Screw | Orange | 3 |
| F | D-Handle | Maroon | 1 |
| G | Barrel Bolt | Brown | 2 |
| G-3 | Barrel Bolt Spacer | Brown | 1 |



TITLE:
2500 Series Installation Instructions

PROPRIETARY AND CONFIDENTIAL
THE INFORMATION CONTAINED IN THIS DRAWING IS THE SOLE PROPERTY OF STALLWORKS. ANY REPRODUCTION IN PART OR AS A WHOLE WITHOUT THE WRITTEN PERMISSION OF STALLWORKS IS PROHIBITED.

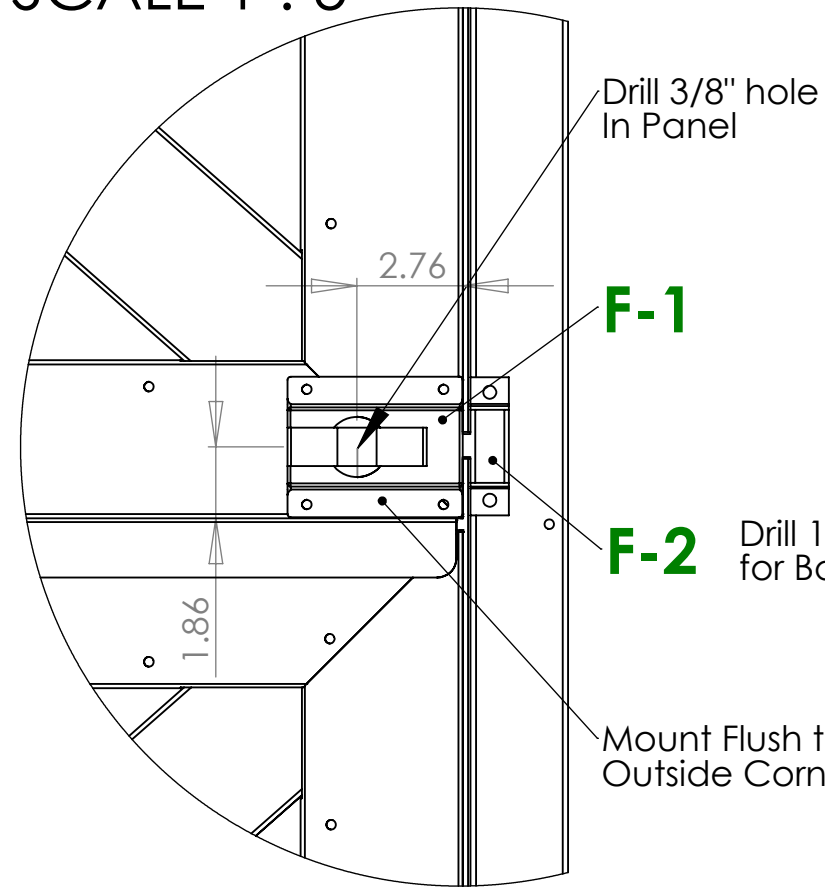
STALLWORKS, LLC
191 Police Tower Rd.
Appomattox, VA 24522
434-352-2929

COMMENTS:

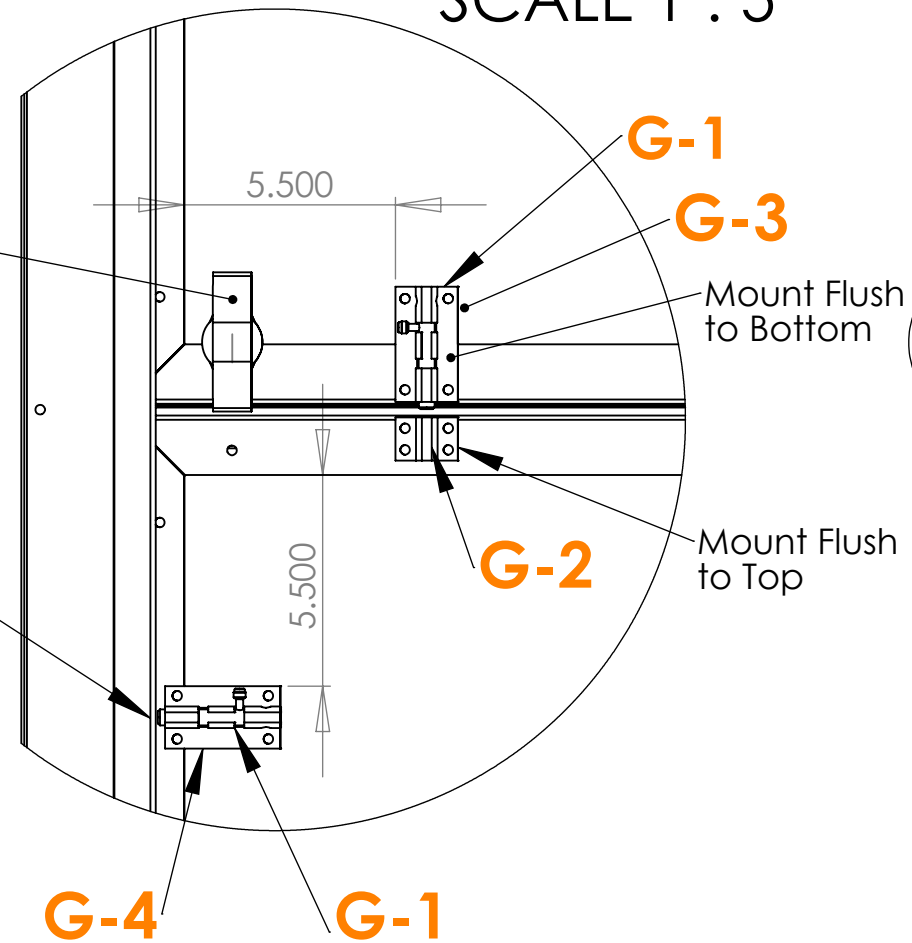
DO NOT SCALE DRAWING

| | | | | | |
|---------|------|--------|-------------|----------|--------------|
| | NAME | DATE | SIZE | DWG. NO. | REV |
| DRAWN | CBM | 1-3-13 | B | | G |
| CHECKED | | | SCALE: 1:12 | WEIGHT: | SHEET 1 OF 2 |

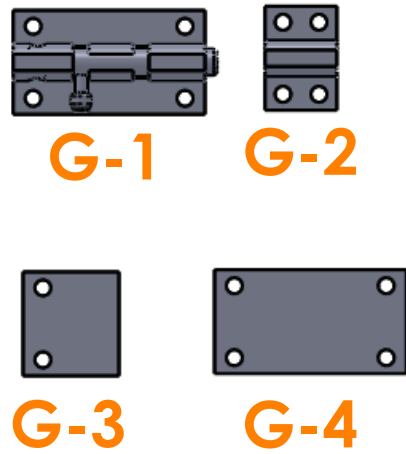
DETAIL A
SCALE 1 : 5



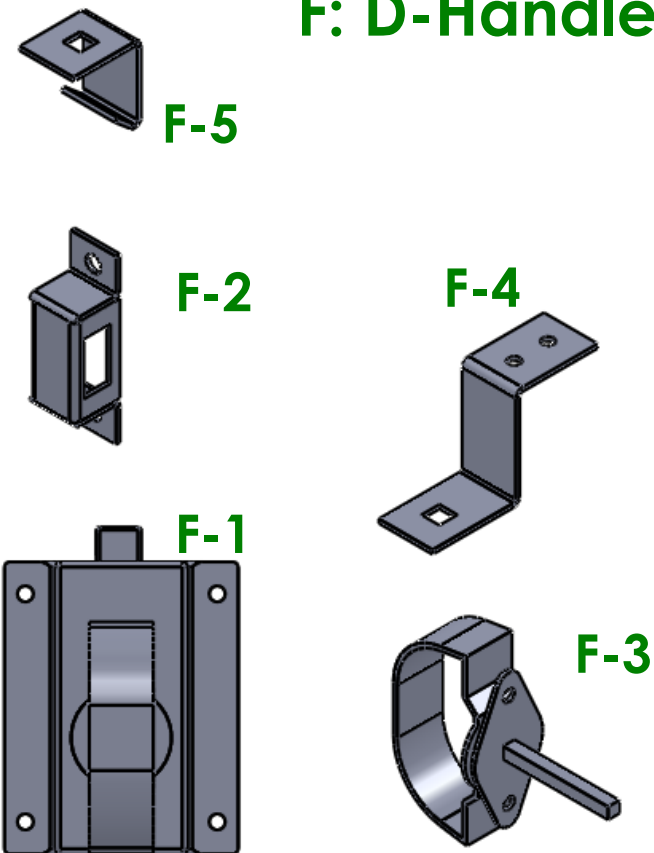
DETAIL B
SCALE 1 : 5



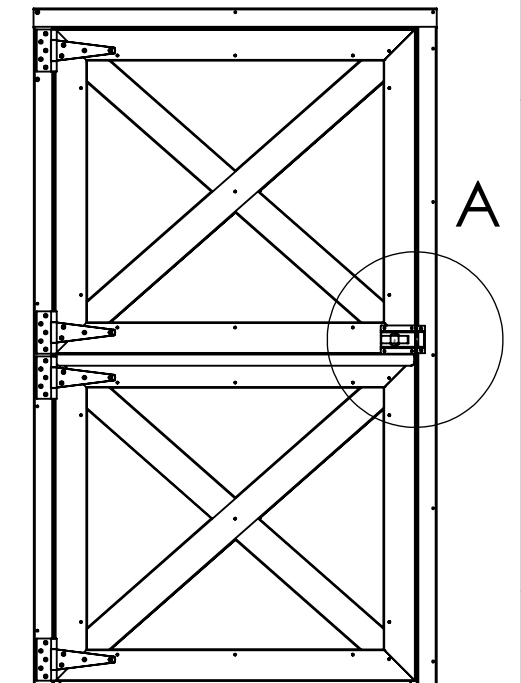
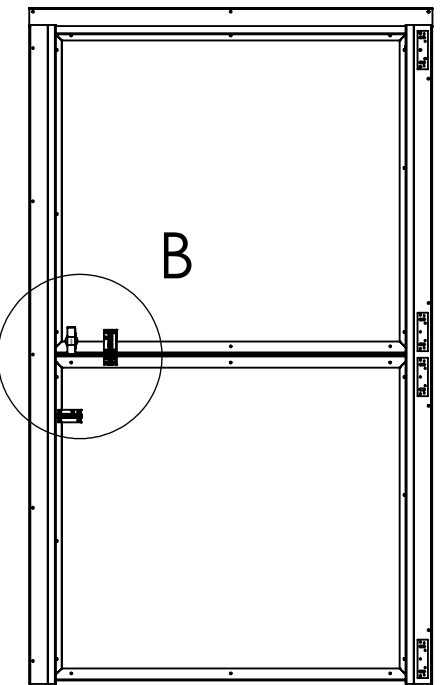
G: Barrel Bolt



F: D-Handle



D-Handle Catch Installation
Option 1 Option 2



PROPRIETARY AND CONFIDENTIAL
THE INFORMATION CONTAINED IN THIS DRAWING IS THE SOLE PROPERTY OF STALLWORKS. ANY REPRODUCTION IN PART OR AS A WHOLE WITHOUT THE WRITTEN PERMISSION OF STALLWORKS IS PROHIBITED.

STALLWORKS, LLC
191 Police Tower Rd.
Appomattox, VA 24522
434-352-2929

COMMENTS:

DO NOT SCALE DRAWING

TITLE:
2500 Series Installation Instructions

| | | |
|---------------------|----------|--------------|
| SIZE | DWG. NO. | REV |
| B | | G |
| DRAWN | CHECKED | |
| NAME | DATE | |
| CBM | 1-3-13 | |
| SCALE: 1:25 WEIGHT: | | SHEET 2 OF 2 |